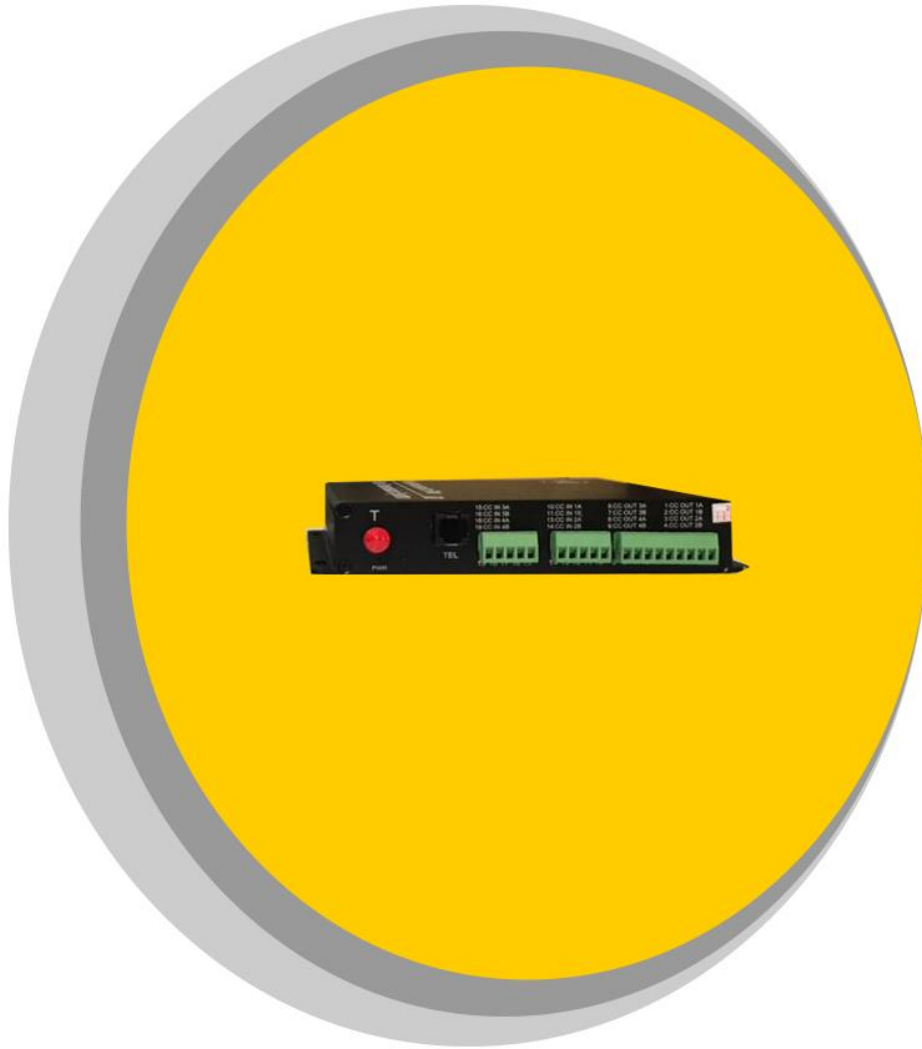




Smart Architecture of Espadana

Designing, Production, Customization and Consultant Service
in Network and Fiber Optic System



Technical Specification

SAE-1P4bK

4 dry contact-Relay with 1 phone port on one core fiber optic





Product Description

- 4 dry contact-Relay
- 1 independent tip-ring RJ11 ports
- Compatible with standard phone signal formats
- Fiber mode Interface: single fiber single mode/SC or FC and multimode(optional)
- Stand alone and Rack mount (2U/4U Card type) for your choice
- Maximum current on Relay up up to 10A
- LED indication of working status for monitoring real time operation

Full Description

SAE-1P4bK This is 4 dry contact-Relay with 1 phone port on one core fiber optic. 4 channel is trigger Data of our products and 4 relay which controls (open and close) circuits electromechanically. The main operation of this relay is to make or break contact with the help of a signal without any human involvement in order to switch it ON or OFF. It is mainly used to control a high powered circuit using a low power signal. **SAE-1P4bK** provides 1 channel RJ11 phone line on fiber optic as well as de-multiplex them in the best situation of tip-ring signal in the destination. This device use advanced analog and digital technologies for pursuing high performance bidirectional data transmission over fiber optic. The transceiver can send signals more than 20 kilometers on fiber(optionally).



The **SAE-1P4bK** come standard with one fiber port. This Optical Transceiver is easily monitored by virtue of LED indicators of working status and without any electrical or optical regulation on site. **SAE-1P4bK** is made with high quality of rigorous screened components, which have superior performance in stability, environmental adaptability. It can work normally in very cold environment to hot from -40°C to $+85^{\circ}\text{C}$. The product is planned in a way to have better resistance against corrosion and electromagnetic interference and work for years without any degradation in expected quality. Power input also made a suitable and reliable types of power, to get more powerful suitability to environment.

Application

- Tele-Communication/Tele-control System
- Intelligent transportation supervisory system(ITS)
- Recondition of telephone lines of a manufacture
- telephone intercom, phone calls, related application
- Military Tele-Com projects



4 dry contact-Relay with 1 phone port on one core fiber optic

Technical Specification

Environmental Aspects:

Working Temperature	Storage Temperature	Relative humidity	Input voltage	Transfer Mode	Dimensions:
-20 °C~+60 °C	-40°~+75 °C	0~90% Non-condensing	5VDC 100-250VAC	Single mode/ Multi mode	110x116x25mm

Link Budget:

1-multi mode transmitters

Fiber type	lose	Maximum Transmission Distance	Link Power	Wavelength
62.5 um	1(dB m/km)	500(meter)	-19.5~-16(dBm)	850, 1310(nm)

2-single mode transmitters

Fiber type	Lose	Maximum Transmission Distance	Link Power	Wavelength
9/125 um	0.5(dBm/km)	20(km)	-8~-5(dBm)	1310, 1550(nm)
9/125 um	0.5(dBm/km)	40(km)	-5~-3(dBm)	1310, 1550(nm)
9/125 um	0.25(dBm/km)	60(km)	-3~-1(dBm)	1310, 1550(nm)
9/125 um	0.25(dBm/km)	100(km)	0~+3(dBm)	1310, 1550(nm)



4 dry contact-Relay with 1 phone port on one core fiber optic

Data Characteristics

Direction	Controlling Equipment	Interface supporting terminal	Type of data:	Relay (A)
Bi-directional	PTZ decoder, Keyboard, data interface of Matrix, High speed dome camera, industrial equipment, DC voltage detector	Standard industrial connector	RS485 (2 lines), RS232, RS422 and so on	More than 15A

RS485/RS422 Aspects (Optional)

Rate of RS485/RS422	Bit rate error	Max-number of nodes	Max transmission distance	Data Agreement	Direction	Type of data:
0-255 Kbps	Less than 10E-12	128	1200meter	supporting all kinds of RS485/422	Reverse	Support point to point, support point to more point

FXS Phone specification

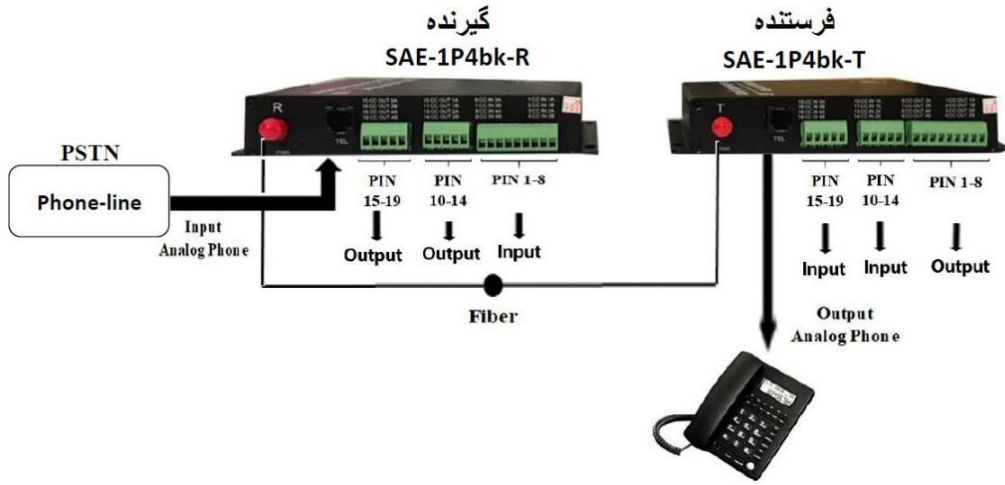
Voltage of Ring	Frequency of Ring	Total amount of resistance	Return loss	Interface
75V	25Hz	600 Ohm (pick up)	40 dB	RJ11

FXO Switch specification

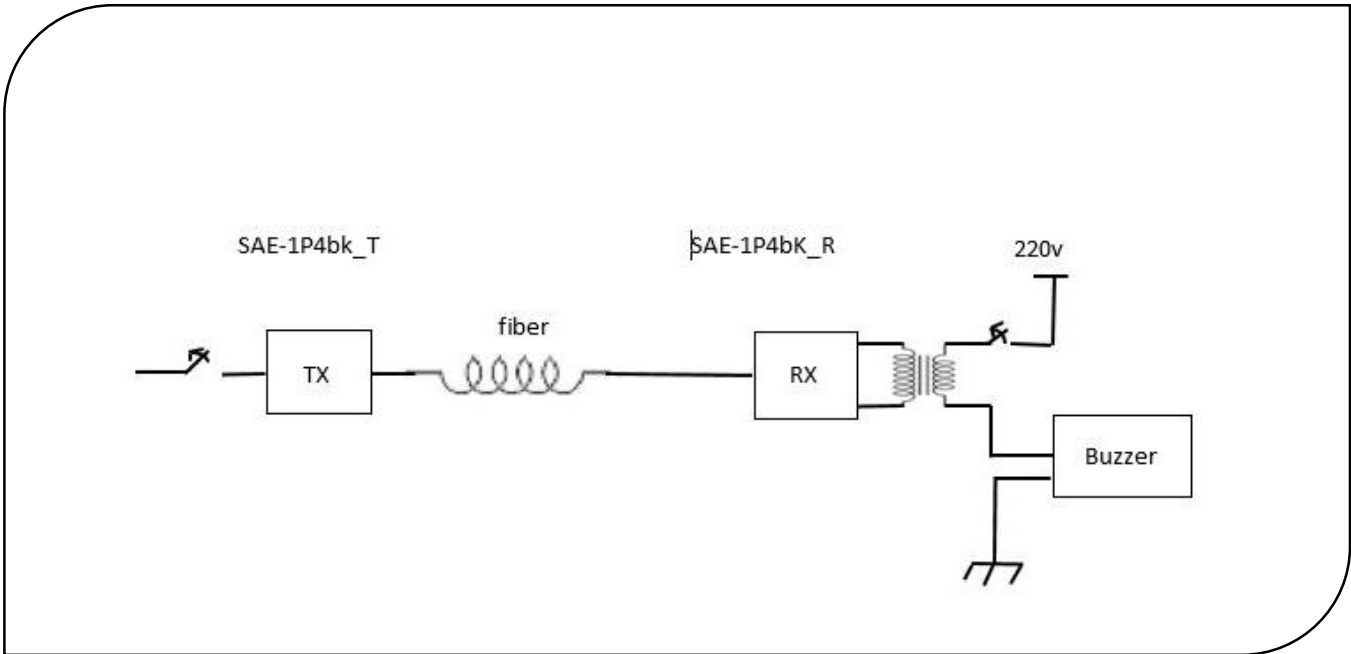
Voltage of Ring	Frequency of Ring	Total amount of resistance	Return loss	Interface
35V	17Hz-60Hz	600 Ohm (pick up)	40 dB	RJ11



4 dry contact-Relay with 1 phone port on one core fiber optic



Product Application Display



Technical Specification of:

SAE-1P4bK