



Smart Architecture of Espadana

Designing, Production, Customization and Consultant Service
in Network and Fiber Optic System



Technical Specification

SAE-PE161600F-QSFPM

16 ports PoE 10/100/1000Mbps switch & 4 gigabit SFP fiber slot ports





Product Description

- 16 PoE ports support power over Ethernet for Power Devices, Support IEEE802.3af standard guaranty per ports (15.5 watt per port)
- 250 watts total power output
- L2+ features provide better manageability, security, QoS, and performance
- Support L2+ Switching features including 802.1Q VLAN, Mirroring, Port isolation, IGMP Snooping, DHCP Snooping, LLDP, POE+ management, IP Source Guard, ARP inspection, ACLs & etc
- Support spanning tree STP (802.1D) and RSTP (802.1W)
- Support enhanced management through WEB, CLI, TELNET, SSH, SNMP
- All gigabit design, 16 × gigabit Ethernet RJ45 ports with Auto Uplink™, 1 × console port, and 4 × gigabit SFP slots

Full Description

This Gigabit smart L2+ PoE switch(SAE-PE161600F-QSFPM) can prepare a field that power and data can feed from a single point, using Power over Ethernet (PoE) over a single cable. One 16 Gigabit Ethernet ports and one console port it prepared any 10/100/1000 Mbps link and the rest of 16 ports can supply industry-standard IEEE 802.3af power for every POE standard devices. Regards to using advanced auto-sensing algorithm the SAE-PE161600F-QSFPM gives power only to IEEE802.3af front-end devices, so don't worry about connecting PoE or non-PoE devices to this feeder. Additionally, this good gives up the power when PoE devices are disconnected. Intelligently, this manageable PoE Switch SAE-PE161600F-QSFPM can recognized automatically PoE demands of devices, speed, duplex, and cable type using Auto Uplink™. Remarkably, It has four giga bit fiber ports (SFPs) that helps smart CCTV network designers to improve their planning and use the switch intelligently. Additionally, network planners would control the network parameters via web management system.

SAE-PE161600F-QSFPM made by high quality of components were rigorous screened, have superior performance in stability, environmental adaptability. The product planned in a way of better resistance and ability to corrosion and electromagnetic interference. Power input also made a suitable and reliable types of power, to get more powerful suitability to environment.

**Applications**

- IP cameras monitoring systems and transmitting systems
- Access points wireless systems and transmission data
- IP telephone, virtual PABX and intelligent unmanned systems
- Management and support Intelligent transportation supervisory (ITS)
- Monitoring TV medical and management
- School, campus, and... monitoring and remote control

Technical specification

Product	SAE-PE161600F-QSFPM
Performance	
Buffer Memory	4.1M
Bandwidth	192Gbps
Interface	
ports	16×10/100/1000Base-T PoE ports (Data/Power) 4× uplink Gigabit SFP slot ports (Data) 1×console port
Spanning Tree Protocol (STP)	Standard Spanning Tree 802.1d Rapid Spanning Tree (RSTP) 802.1w
Aggregation	Link Aggregation Control Protocol (LACP) IEEE 802.3ad; UP to 14 aggregation groups and 8 ports per group.
VLAN	Support up to 4K VLANs simultaneously (out of 4096 VLAN IDs) 4K VLAN based on IEEE802.1Q
Multicast	IGMP V1/V2 snooping, supports 1024 multicast groups
Security	
Security parts	<ul style="list-style-type: none"> ➤ SSH secures Telnet traffic in or out the switch, support SSH V1 and V2 ➤ SSL encrypts the http traffic, allowing advance secure access to the browser-based management GUI in the switch ➤ MAC learning limit ➤ ARP inspection, Port isolation, ARP message speed limit ➤ Broadcast storm control ➤ DHCP Snooping, prevent unauthorized configuration and use of IP addresses while providing support for IP Source Guard and ARP detection



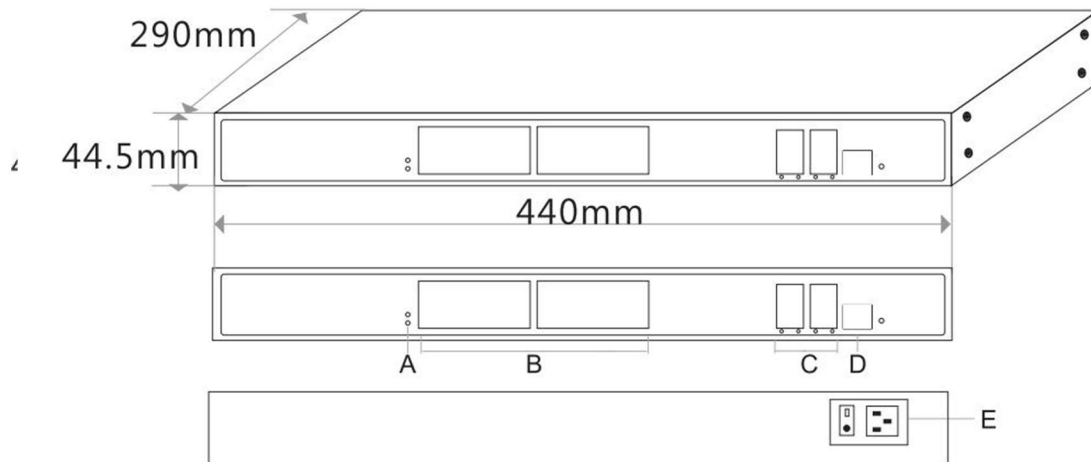
ACLs	<ul style="list-style-type: none"> ➤ Support for up to 256 entries, Drop or rate limitation based on source and destination MAC, VLAN ID or IP address Type ➤ ACL based on port and VLAN ➤ Based on TCP/UDP Port, TCP/UDP Port Range ➤ Differentiated services code point (DSCP) ➤ Ethernet type ➤ Internet Control Message Protocol (ICMP) packets
Quality of Service	
Hardware Priority Queue	Support 8 hardware queues
Scheduling	Queue Scheduling Algorithm (SP, WRR, SP+WRR)
Classification	Port based on 802.1p(PCP) VLAN priority
Rate Limiting	Rate control per VLAN, per port and Flow-based rate limiting
Management	
Web GUI interface	<ul style="list-style-type: none"> ➤ Web/ SSL, Telnet/ SSH, ping, Trivial File Transfer Protocol (TFTP), SNMP ➤ Supports configuration, system dashboard, maintenance and monitoring ➤ Dual image provides independent primary and secondary OS files for backup while upgrading ➤ Web browser upgrade (HTTP/ HTTPS) and TFTP Upgrade through console port as well ➤ Port mirroring: Traffic on a port can be mirrored to another port for analysis with a network analyzer or RMON probe. Up to N-1 (N is Switch's Ports) ports can be mirrored to single destination port. A single session is supported. ➤ Built-in switch configuration utility for browser-based device Web GUI interface configuration (HTTP/ HTTPS).
Green Ethernet	
Green and Energy saving Ethernet (EEE)	Compliant IEEE802.3az Energy Efficient Ethernet Task Force. Automatically turns off power on Gigabit Ethernet RJ45 port when detecting link down or Idle of client. Active mode is resumed without loss of any packets when the switch detects the link up
Cable length detection	Adjusts the signal strength based on the cable length. Reduces the power consumption for cables shorter.



General	
Jumbo frames	Frame sizes up to 9KB supported on Gigabit interfaces
MAC Table	Up to 8K MAC addresses.
LLDP protocol	Used by network devices for advertising their identities, capabilities, and neighbors on a IEEE 802 local area network, principally wired Ethernet.
PoE	16 ports support PoE, 15.4W per PoE port , can be customized by Web management software, End span (Mid span optional)
Environmental aspects	
Working Environment	Operating Temperature: 40°c to 75° Storage Temperature: -40 ° ~ 75 °C Operating humidity 10% to 90%
Dimension	440x290x44.5mm



Product Size Display



- A. Working Indicator
- B. 16*10/100/1000M PoE Ports
- C. 4*100/1000M SFP Ports
- D. Console Port
- E. Power Input Port 100-240V AC, 50/60Hz

Product Application Display

