



## Smart Architecture of Espadana

Designing, Production, Customization and Consultant Service  
in Network and Fiber Optic System



### Technical Specification

**SAE - SW4600 - G20**

4 Port 10/100/1000Mbps Dual Fiber Media Converter & 2 Gigabit SFP





## Product Description

- 4x10/100/1000Mbps Dual Fiber Media converter, 2gigabit SFP ports, Full Industrial design
- Card-type or Stand-alone type for your choice
- Supports IEEE 802.3U; IEEE 802.3X; IEEE 802.3z/AB; IEEE 802.1d standard
- Full duplex flow control or half duplex backpressure flow control, with auto-negotiation function
- Provide stand-alone RJ-45 electrical interface port, automatic cross connection with switch and hub network
- The electrical interface port supports 1000Mbps,100Mbps,10Mbps, both ends of the electrical interface port can use different speed (Working bandwidth for full-duplex is line-speed 2XMbps)
- Supports automatic cross of twisted pair ports
- LED supported for link failure indication and status in order to better monitoring

## Full Description

This SAE-SW4600-G20 features with link loss diagnosis, electrical port link diagnosis and optical port link diagnosis, dynamic data transmission, full-duplex/half-duplex, speed indicator. It provides the stand-alone RJ-45 electrical interface port, automatic cross connection with switch and hub network. High-performance optical fiber interface, good compatibility and high reliability, fully compatible with other devices. Accordingly, multimode, single mode up to 80 km or more can support by this equipment.

The SAE-SW4600-G20 media converter provides a network point for data transmission. The media converter features simple and reliable design, automatic identification Ethernet requirements, duplex and high-speed. Remarkably, it has 2 Gigabit fiber ports (SFPs) that helps designers to improve their planning and use the network intelligently.

SAE-SW4600-G20 made by high quality of components were rigorous screened, have superior performance in stability, environmental adaptability. The product planned in a way of better resistance and ability to corrosion and electromagnetic interference. Power input also made a suitable and reliable types of power, to get more powerful suitability to environment.



**Applications**

- IP Camera in CCTV monitoring
- Digital Radio in transmission systems
- IP telephone
- Intelligent transportation supervisory system(ITS)
- Tele-Communication System
- Security protection system, TV medical treatment
- Long-distance Multi-media Schooling, Campus monitoring

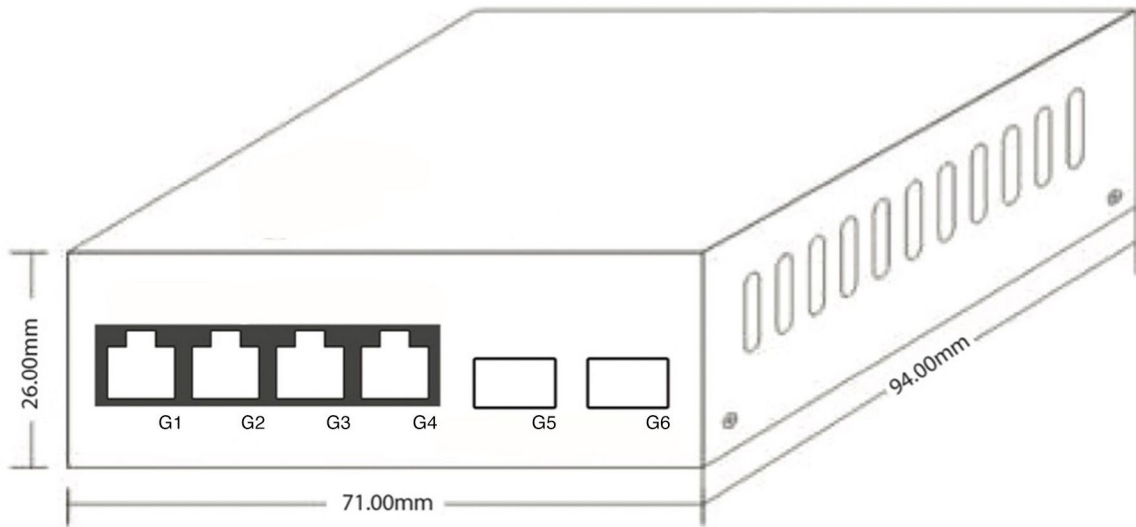
**Technical specification**

<b>Product</b>	
<b>Product Name</b>	SAE-SW4600-G20
<b>Interface</b>	
<b>Ports</b>	4 Gigabit single electrical port, single mode/multimode dual fiber, 2 Gigabit SFP
<b>Protocol</b>	
<b>Transmission Distance</b>	20km, can be customized 550m, 40km, 60km or 100km
<b>Fiber Description</b>	Single mode Dual fiber, LC port
<b>Fiber Bandwidth</b>	1.6 Gbps
<b>Rate</b>	1000MHz
<b>Network Media</b>	100BASE-TX/1000BASE-TX: Cat5 and more UTP
<b>EMI Safety</b>	FCC Class A, CE
<b>Standards</b>	
<b>IEEE 802.3i 10BASET</b>	IEEE 802.3u 100BASETX
<b>IEEE 802.3x Flow Control</b>	IEEE 802.1af DTE Power via MDI
<b>LED Indicator</b>	
<b>systems</b>	Power
<b>Connecting</b>	working status



<b>Power</b>	
<b>Power Supply</b>	4W
<b>Dimension/ Weight</b>	
<b>Dimension</b>	94×71×26 mm
<b>Weight</b>	0.65kg
<b>Working Environment</b>	
<b>Working Temperature</b>	0°c ~ 75°c
<b>Storage Temperature</b>	-10°c ~ 85°c
<b>Working Humidity</b>	10% ~ 90%, non-condensing
<b>Storage Humidity</b>	10% ~ 95%, non-condensing
<b>Operational Altitude</b>	3000m (10,000ft)
<b>Storage Altitude</b>	3000m (10,000ft)

Product Size Display



Product Application Display

